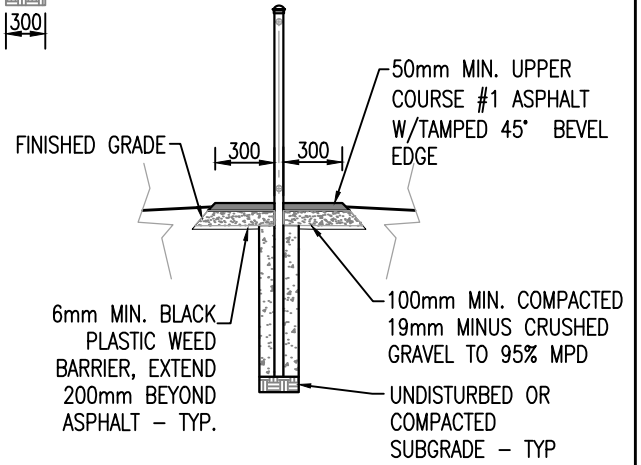


FENCE ELEVATION



SECTION

NOTES:

- 1) FENCE MATERIAL SHALL BE AS PER MMCD 32 31 13 AND SPECIFICATIONS BELOW
- 2) PIPES: SEE PIPE SCHEDULE
- 3) JOINTS:
 - RADIUS CUT AND WELDED
 - GRIND SMOOTH
 - PRIME PAINT TWO (2) COATS MINIMUM WITH ZINC-RICH PAINT
- 4) WIRE TIES: 3.55mm (9 GAUGE) GALVANIZED STEEL
 - HORIZONTAL RAILS - EVERY OTHER KNUCKLE
 - AT 150mm MIN ON VERTICAL RAILS
- 5) TENSION BARS: 16mm x 5mm (58" x 3/16") GALVANIZED STEEL
- 6) TENSION BANDS:
 - SPACED 380mm MAXIMUM O.C.
 - NOT LESS THAN FIVE (5) BANDS PER BAR
- 7) ALL TENSION BARS, CLAPS, FASTENINGS, HOG RINGS, TENSION, WIRE, POST CAPS, AND OTHER ACCESSORIES SHALL BE HOT-DIP GALVANIZED.
- 8) TENSION WIRE, WHERE APPLICABLE, SHALL BE 5mm (6 GAUGE) GALV. STEEL WIRE
- 9) TRIM OR BEND DOWN SHARP, PROTRUDING, AND EXCESS WIRE TIE ENDS TO REMOVE HAZARD
- 10) SINGLE DIAGONAL BRACE RAILS TO BE INSTALLED EVERY 30m AND/OR AT EVERY CHANGE IN DIRECTION
- 11) MESH FABRIC
 - 50 x 50 SQUARE 9 GA. BLACK VINYL COATED CHAINLINK
 - FABRIC KNUCKLED AT THE SALVAGE EDGE
- 12) GRADE THE WORKING AREA LEVEL OR TO AN EVEN FALL UNLESS OTHERWISE STATED ON DRAWINGS OR IN DESCRIPTIVE DOCUMENTATION.
- 13) ASPHALT MOWING STRIP
 - NOT REQUIRED WHERE THERE IS NATIVE OR ORNAMENTAL LANDSCAPE PLANTINGS ON BOTH SIDES OF FENCE.
- 14) GATES AND/OR CLEAR OPENINGS ONLY AS INDICATED ON PLAN.

PIPE SCHEDULE – FENCING

TYPE	NOMINAL	O.D. ϕ	I.D. ϕ	WALL THICKNESS	DESIGNATION	FINISH
HORIZONTAL AND BRACE RAILS	32mm	42mm	35mm	3.5mm MIN.	SCHEDULE 40	GALVANIZED
LINE POSTS	50mm	60mm	52mm	4.0mm MIN.	SCHEDULE 40	GALVANIZED
TERMINAL AND CORNER POSTS	75mm	89mm	78mm	5.5mm MIN.	SCHEDULE 40	GALVANIZED

TITLE **FENCE – CHAINLINK**

THE CORPORATION OF THE TOWNSHIP OF LANGLEY

DATE FEB 2016

APPROVED

S.D.S.B. No.:



TLP 09